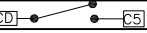

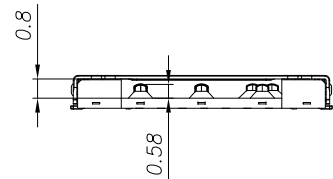
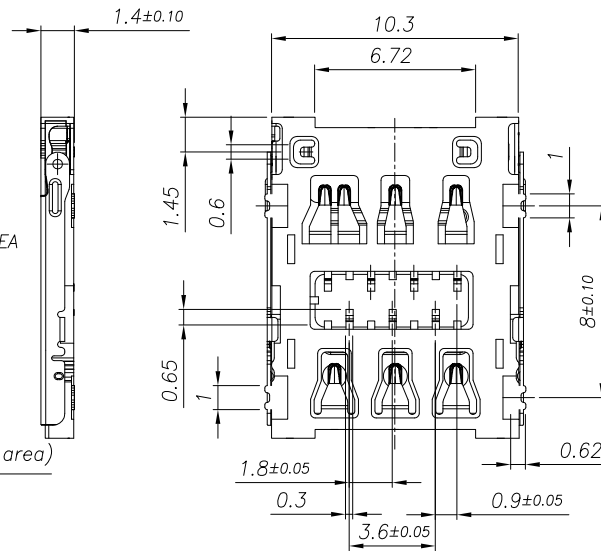
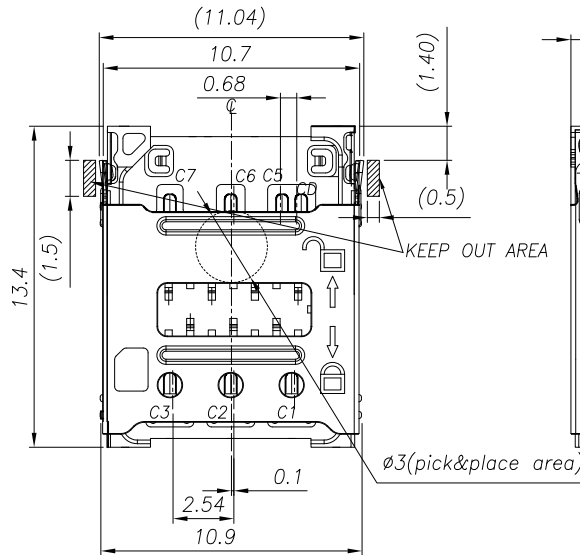


REV.	ECN NO OR DESCRIPTION	REVISED	DATE
1	PROPOSE ONLY	ALLEN	2015.03.04
2	MODIFY THE SHELL LOGO	ALLEN	2016.12.02

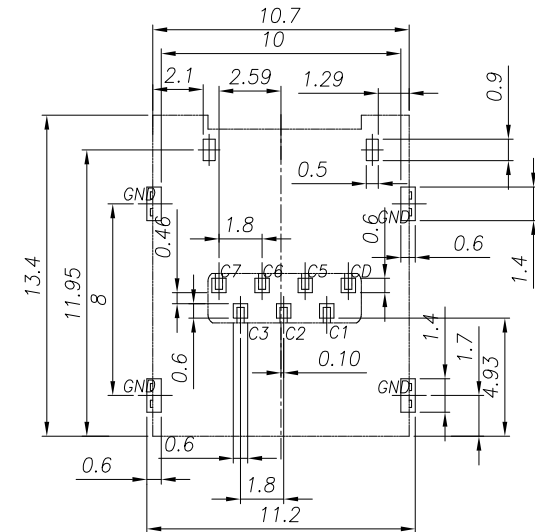
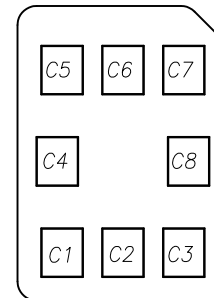
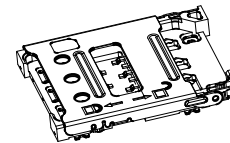
SW Circuit Description for Connector:

CARD INSERTION STATE	DETECT SWITCH CIRCUIT STATE	SCHEMATIC
UNMATED	OPENED	DETECT PIN 
MATED	CLOSED	DETECT PIN 

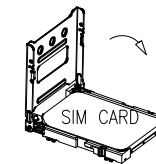


【 SIM Card Pin Assignments 】

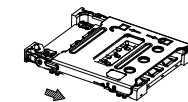
PIN	Name
C1	Vcc
C2	RST
C3	CLK
C4	Reserved
C5	GND
C6	Vpp
C7	I/O
C8	Reserved



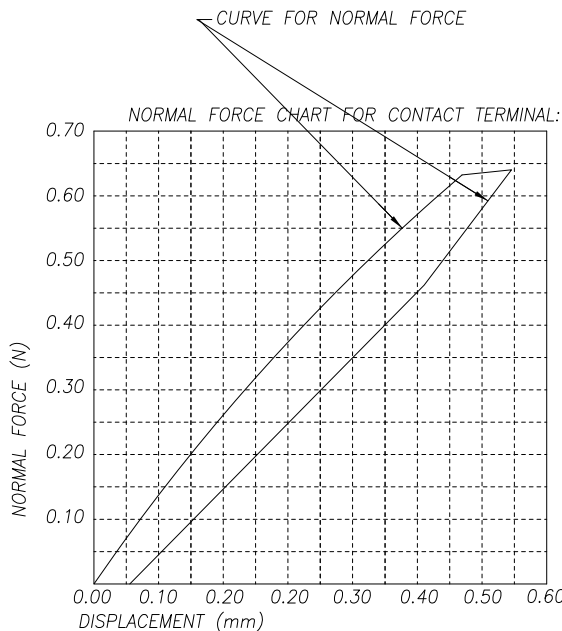
RECOMMENDED PCB LAYOUT TOP VIEW (TOLERANCE:±0.05)  
RECOMMENDED METAL MASK T=0.12MM



1. PLACE SIM CARD,  
THEN HINGE THE SHELL



2. SLIDE THE SHELL,  
CARD LOCKED



NOTES:

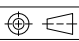
- MATERIAL:SEE TABLE
- SPECIALITY:
  - Rated current: 0.5A Max
  - Rated voltage: 30V AC
  - Contact Resistance:100mohm MAX
  - Insulation Resistance:1000Mohm MIN 500V DC
  - Dielectric withstanding voltage: 500V AC/minute.
  - Solder ability:250±5 10±0.5s.
  - Durability:5000 Cycles
  - Mating and Unmating force  
Insertion Force 10N Max  
Withdrawal Fore 0.5N Min

NO.	PART NAME	Q'TY	DESCRIPTION	NOTE
③	TERMINAL	6	C5210-EH,T=0.12	Au 3u" PLATING
②	BASE INSULATOR	1	LCP+GF30%	BLACK
①	SHELL	1	SUS304-H,T=0.15	AU/Ni PLATING

UNLESS OTHERWISE  
SPECIFIED TOLERANCES

DECIMALS:	ANGLES:
X :±0.5	X :±2°
X.X :±0.20	X.X :±1°
X.XX :±0.10	

东莞市讯普电子科技有限公司

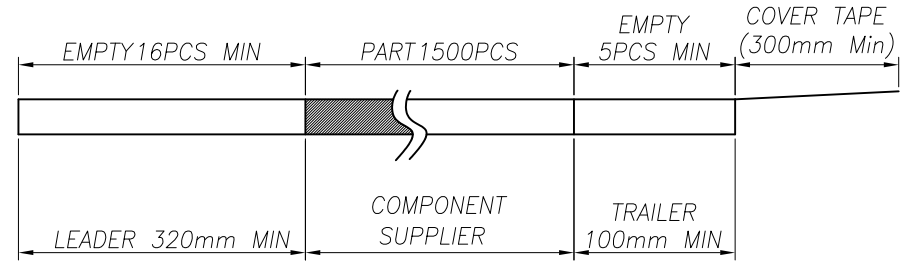
TITLE	6Pin 1.4H Hinge Nano SIM CARD CONN.			
DWN	ALLEN	PART NO.	SMN-306	
CHKD	KEVIN	SCALE:1:1	UNIT: mm	
APVD	ERIC.W	SIZE: A3	SHEET:10F 1	REV: A2

CUSTOMER COPY

REV.	ECN NO OR DESCRIPTION	REVISED	DATE
▽	PROPOSE ONLY	ALLEN	2015.03.04

NOTES

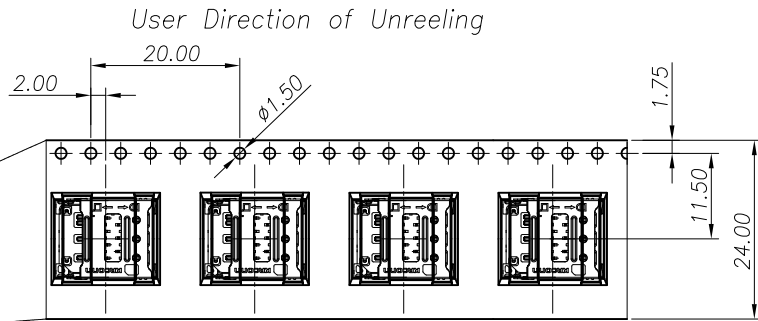
1. NUMBER OF CONNECTORS:1500PCS/REEL
2. LEAD TAPE LENGTH



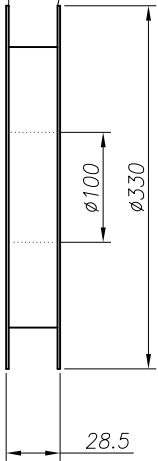
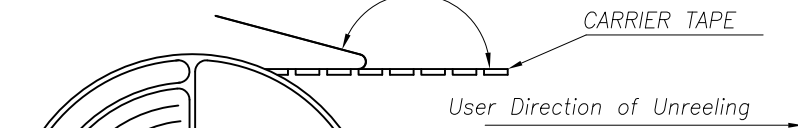
3. QUANTITY:10,000PCS/CARTON
4. WEIGHT :
  - 3.1 NET WEIGHT : 2.4Kg
  - 3.2 GROSS WEIGHT : 6.5Kg

A  
B  
C  
D

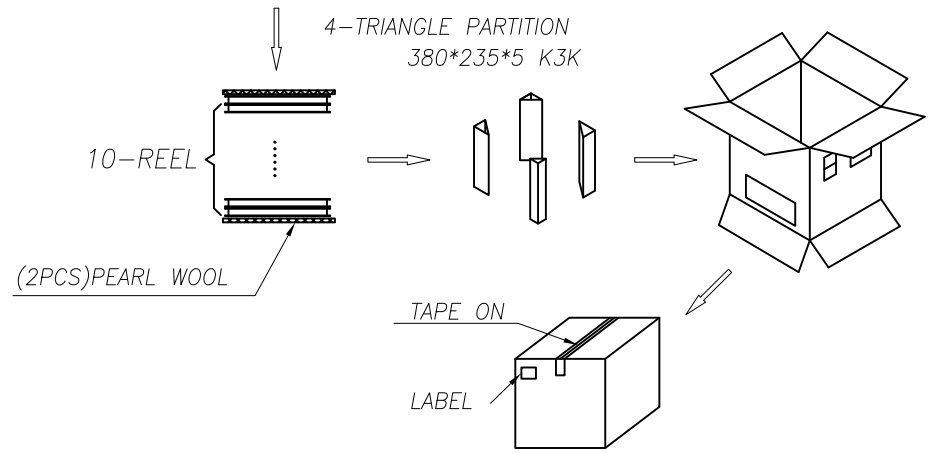
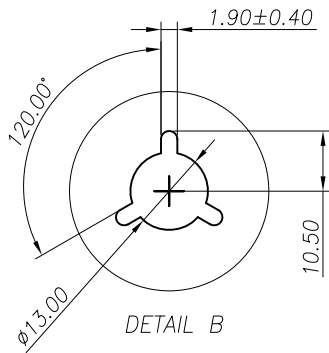
A  
B  
C  
D



COVER TAPE PEELING ANGLE:165°~180°  
PEELING FORCE:20~130g



DETAIL B



1	SMN-306	1500	10	15000
ITEM	PRODUCT NO.	PCS/REEL	REEL/CARTON	PCS/CARTON

UNLESS OTHERWISE SPECIFIED TOLERANCES		东莞市讯普电子科技有限公司			
DECIMALS:	ANGLES:	TITLE	6Pin 1.4H Hinge Nano SIM CARD CONN. 包装规范		
X :±0.5	X :±2°	DWN	ALLEN	PART NO. SMN-306	
X.X :±0.20	X.X :±1°	CHKD	KEVIN	SCALE:1:1	UNIT: mm
X.XX :±0.10		APVD	ERIC.W	SIZE: A3	SHEET:10F 1
		REV: A2			
CUSTOMER COPY					